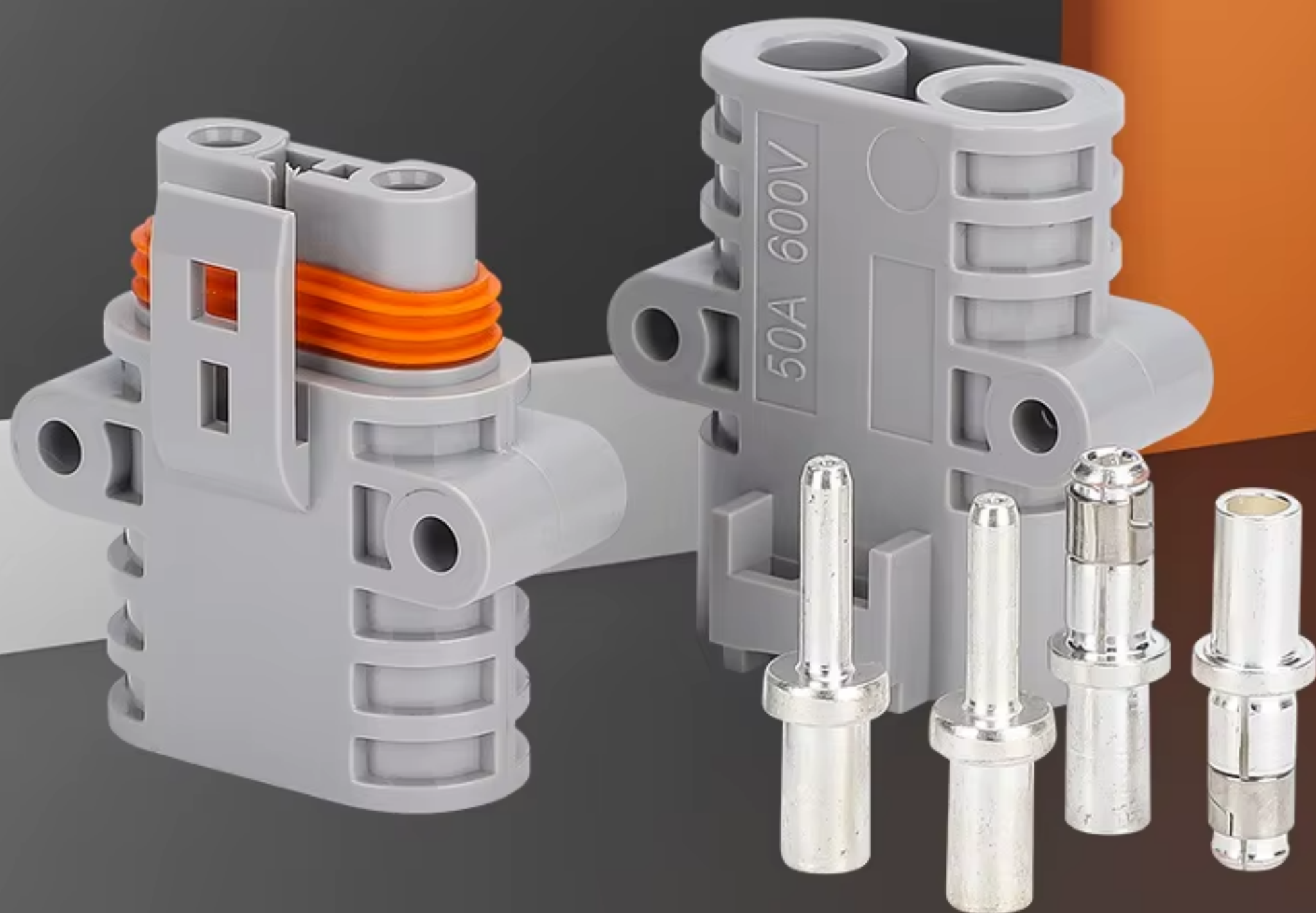


50A Parking Air conditioning connector

All copper nickel plated guide

Factory direct operation Complete specifications

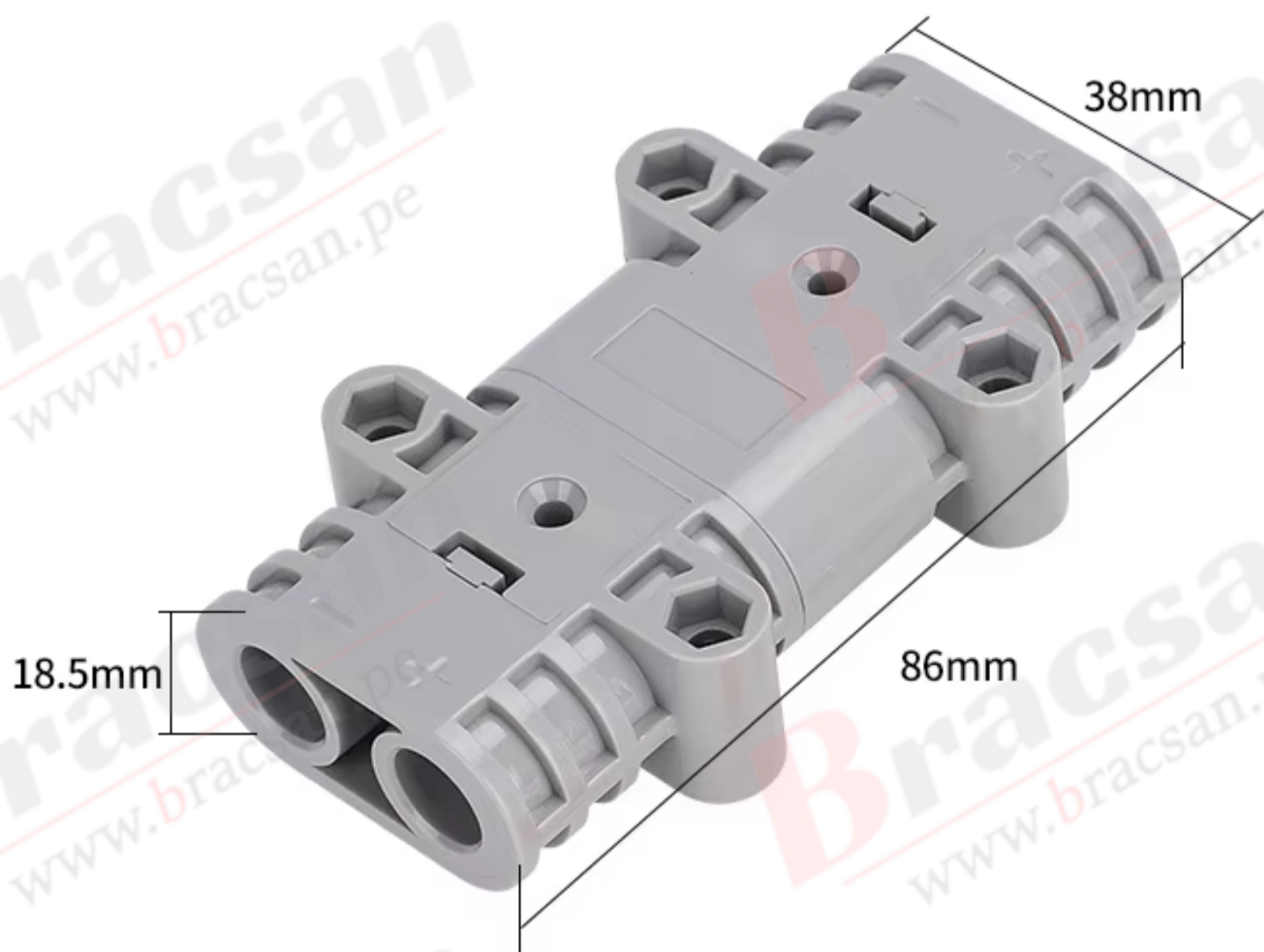




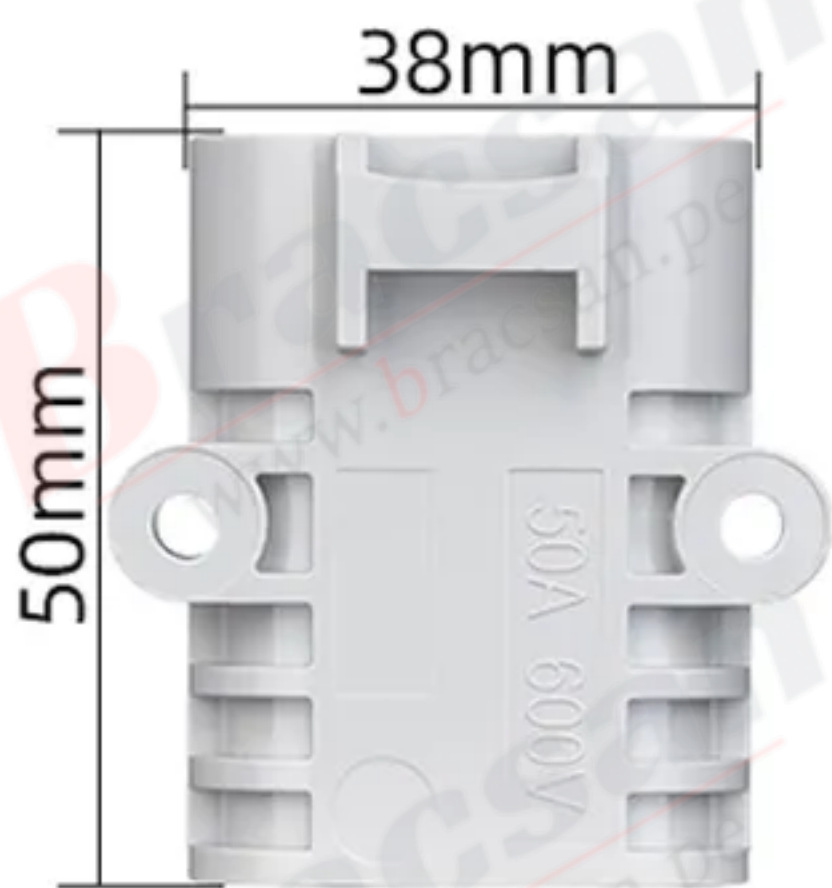
Product Parameters

PRODUCT PARAMETERS

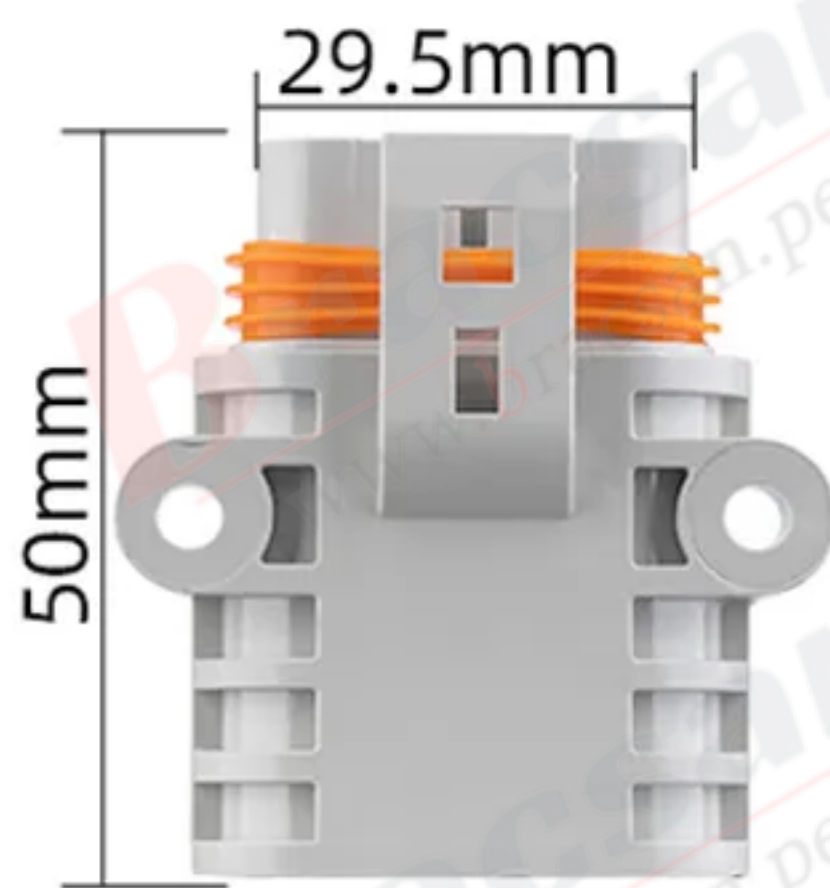
Product Name	50A parking air conditioning connector	Flame retardant grade	UL94-v0
Rated current	50A	Internal shrapnel	65Mn
Rated voltage	600V	Operating temperature	-20°C~105°C
Terminal Material	Silver plated copper	Wiring Specifications	8 to 10 square
Molded shell material	PC	AWG (American Standard)	12/10/8/7AWG



Male Shell



Female Shell



Male Contact



Female Contact



Wiring Size: 8AWG (10mm²)