

COMMONWEALTH DC BRUSHLESS FAN

FP-108J/DC-A

50x50x10mm

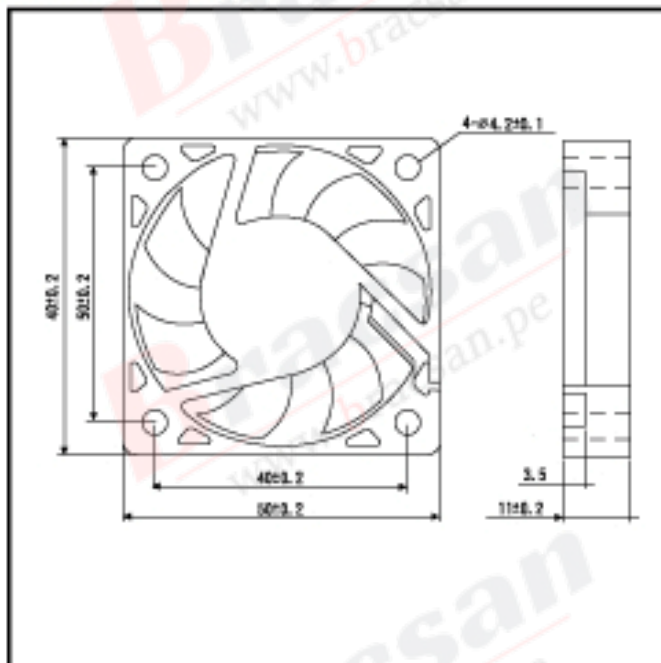
DESIGN FEATURES

- ***BEARING SYSTEM:** BALL BEARING
- ***IMPELLER:** PLASTIC WITH FIBER GLASS FILLED UL 94V-0
- ***HOUSING:** PLASTIC WITH FIBER GLASS FILLED UL 94V-0
- ***MOTOR:** BRUSHLESS DC
- ***CONNECTING:** WIRE LEADS
- ***SPEED:** S-U ULTRA TYPE
 - S-1 HIGH SPEED TYPE
 - S-2 MEDIUM SPEED TYPE
 - S-3 LOW SPEED TYPE

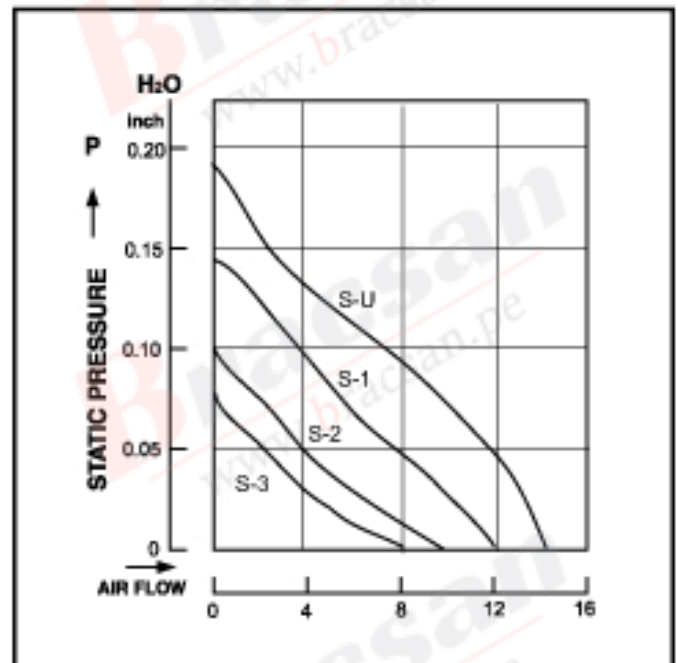
*AVAILABLE FG TYPE FOR SPEED SENSOR SIGNAL



DIMENSIONS:MM



PERFORMANCE



SPECIFICATIONS

Specifications are subject to change without notice

MODEL NO.	VOLTAGE (VDC)	AIR (CFM)	VOLUME (M ³ /MIN)	CURRENT (A)	POWER (W)	SPEED (RPM)	STATIC PRESSURE (INCH-H ₂ O)	NOISE (dBA)
FP-108J/DC-A (S-U)	12	14.30	0.40	0.21	2.52	5800	0.19	33
FP-108J/DC-A (S-1)	5	12.30	0.35	0.30	1.50	5000	0.14	32
	12	12.30	0.35	0.14	1.68	5000	0.14	32
	24	12.30	0.35	0.12	2.88	5000	0.14	32
FP-108J/DC-A (S-2)	5	10.40	0.30	0.24	1.20	4200	0.10	26
	12	10.40	0.30	0.11	1.32	4200	0.10	26
	24	10.40	0.30	0.10	2.40	4200	0.10	26
FP-108J/DC-A (S-3)	5	8.40	0.24	0.18	0.90	3400	0.07	23
	12	8.40	0.24	0.08	0.96	3400	0.07	23
	24	8.40	0.24	0.08	1.92	3400	0.07	23