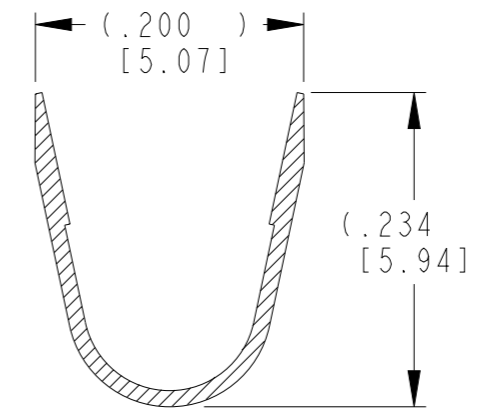
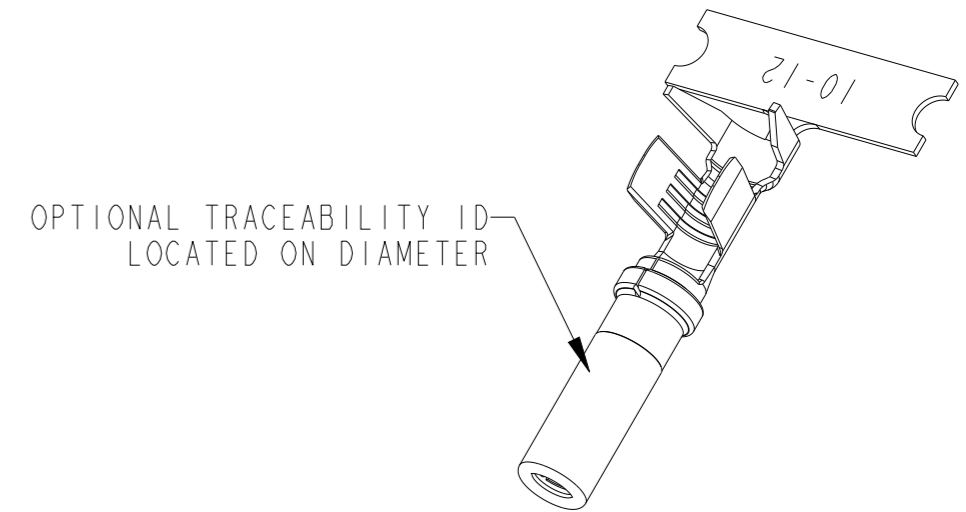
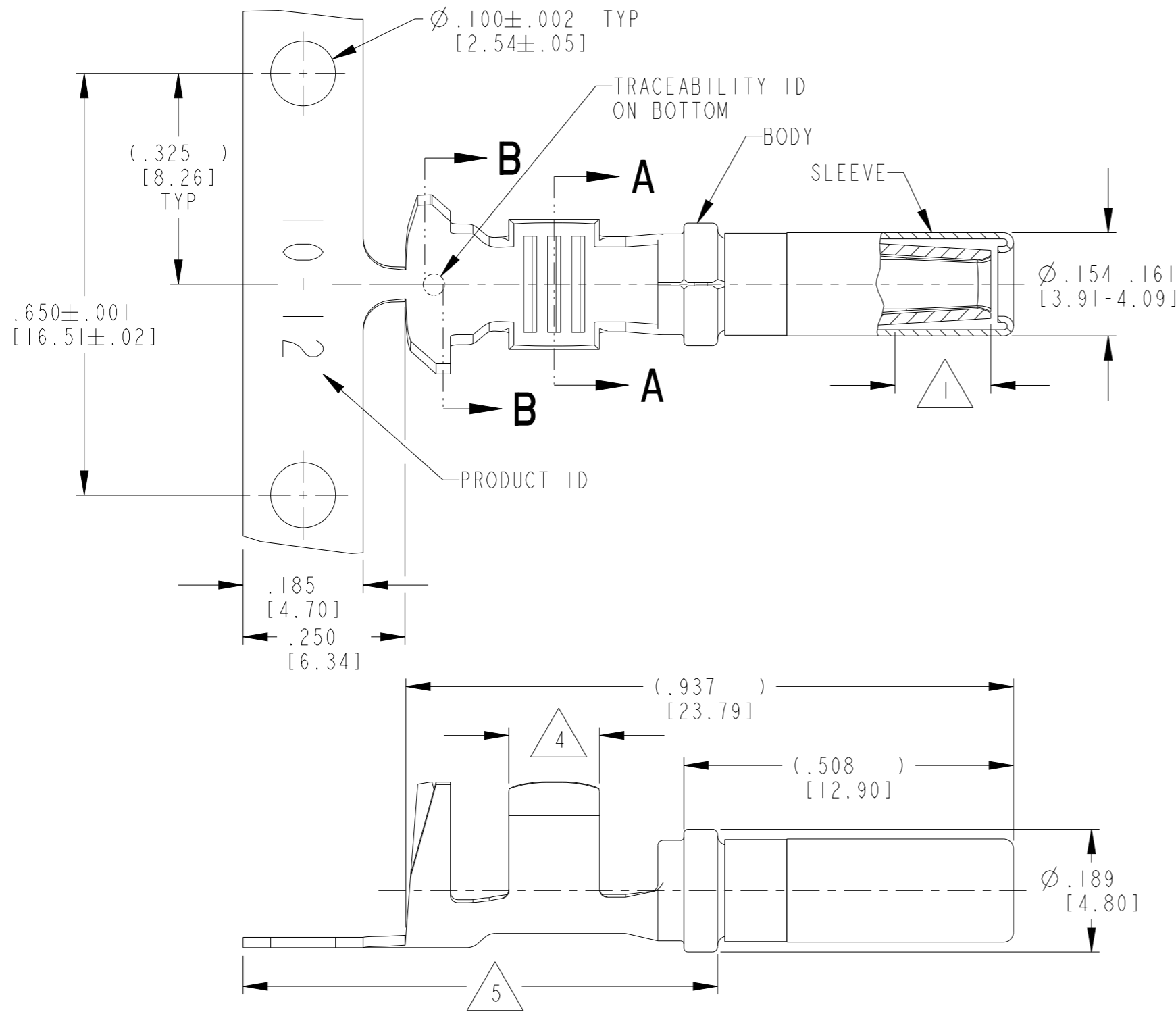
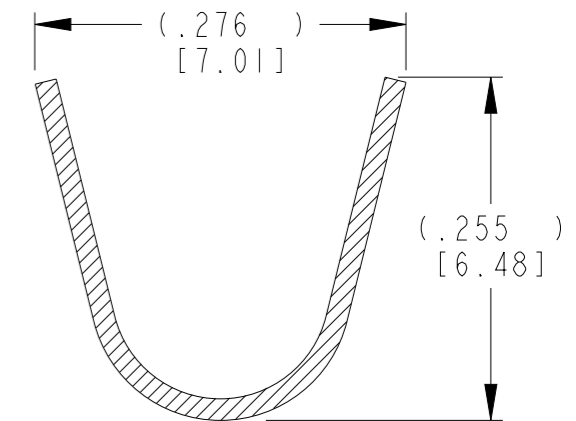


P	LTR	DESCRIPTION	DATE	DWN	APVD
	D	REVISED PER EO PI9555	7-11-07		RDR
	E	REVISED PER PCN E-20-009639	10JUL2020	DM	IG
	E1	REVISED PER PCN-25-234736	06FEB2025	GB	DM



SECTION A-A
CONDUCTOR WINGS



SECTION B-B
INSULATION WINGS

- △5 TIN PLATING MAY BE IN THIS REGION.
- △4 TIN PLATED REGION.
- △3 MATERIAL: .016 [0.41] THICK COPPER ALLOY.
- 2. WIRE RANGE: 10 AWG [4.0-6.0mm²]
INSULATION RANGE: Ø .140-.204 [3.56-5.18]
- △1 GOLD PLATED REGION.

NOTES: UNLESS OTHERWISE SPECIFIED

TE INTERNAL PN	DEUTSCH PN	REV	PLATING
1062-12-0222	1062-12-0222	D	Ni/Cu overall
1062-12-0244	1062-12-0244	D	Selective Au, Ni/Cu overall, Sn/Ni/Cu Wire Barrel

THIS DRAWING IS A CONTROLLED DOCUMENT.		DWN D.MEYER 03AUG2001	STE TE Connectivity	
		CHK B.BYFORD 11JUL2007		
DIMENSIONS: INCH [mm]		APVD R.REED 11JUL2007	NAME SOCKET, STAMPED CONTACT SIZE 12 10 AWG, .140-.204 INS	
TOLERANCES UNLESS OTHERWISE SPECIFIED: 0 PLC ± 1 PLC ± 2 PLC ± 3 PLC ±.025 [0.64] 4 PLC ± ANGLES ±		PRODUCT SPEC 108-151000	SIZE A3	
MATERIAL △3		APPLICATION SPEC 114-151006	CAGE CODE 4AFU8	DRAWING NO C=1062-12-02XX
FINISH SEE TABLE		WEIGHT 1.0 g	RESTRICTED TO -	SCALE 5:1
		CUSTOMER DRAWING	SHEET 1 OF 1	REV E1